

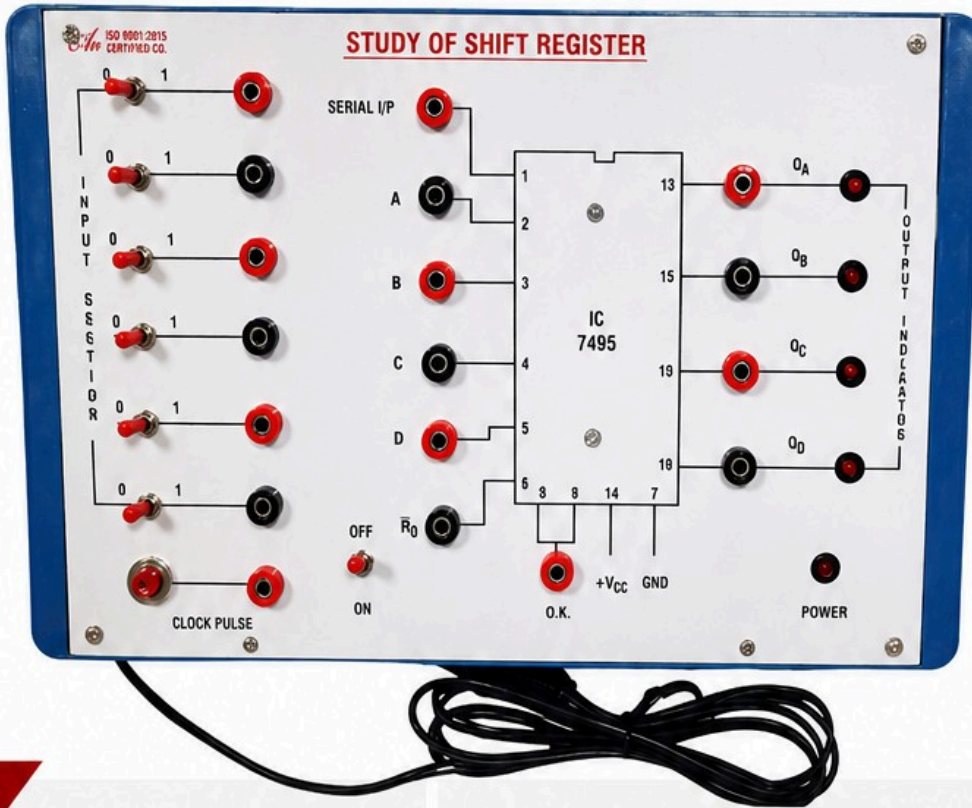
SHIFT REGISTERS

Precision Logic Training. Trusted Performance.

Advanced Digital Electronics Trainer for Educational & Industrial Applications



An ISO 9001:2015
CERTIFIED CO.



OVERVIEW

The Shift Registers Trainer is a digital electronics training system designed to demonstrate the concept and operation of shift registers using IC 7495. The trainer allows students to study serial data input, parallel data output, shifting operations, and clocked data storage through hands-on experimentation.

Widely used in engineering colleges, polytechnics, vocational institutes, laboratories, and R&D centers for digital electronics training.



High Accuracy

Reliable practical demonstrations.



Robust Design

Industrial-grade construction.



Easy Operation

Simple connections and operation.



Reliable Performance

Long-lasting and dependable trainer.

SPECIFICATIONS

- **Product Name** : Shift Registers
- **IC Used** : 7495
- **Type of Shift Register** : 4-Bit Serial-In Serial-Out (Parallel Output)
- **Number of Stages** : 4
- **Inputs** : Serial Input, Clock Pulse, Clear (\bar{R}_0)
- **Outputs** : QA, QB, QC, QD (With Indicators)
- **Logic Family** : TTL Compatible
- **Supply Voltage** : +5V DC
- **Power Indicator** : LED
- **Mounting** : Panel Mounted
- **Construction** : Educational Trainer
- **Dimensions** : Approx. 310 x 210 x 50 mm
- **Weight** : Approx. 1.2 kg
- **Applications** : Digital Electronics Labs, Engineering Education, Training Institutes & R&D Centers

FEATURES

- Based on IC 7495 4-Bit Shift Register
- Serial input and parallel output monitoring
- Individual input selection switches
- Clock pulse input for data shifting
- Clear (Reset) facility
- Output indicators for QA, QB, QC, QD
- On-board +5V DC regulated power supply
- Easy to understand circuit layout
- Durable panel construction
- Safe, reliable and easy operation
- Ideal for practical digital electronics experiments

APPLICATIONS

- Digital Electronics Experiments
- Study of Shift Register Operations
- Logic Design Demonstrations
- Educational Laboratories
- Engineering Colleges
- Polytechnic Institutes
- Technical Training Centers
- Skill Development Programs
- Research & Development Labs

CONTACT US

- 62 Azad Nagar, Near Rampur Chowk, Behind Khalsa Tent House, Ambala Cantt, Haryana, 133001 India
- Info@eselindia.com
- Sharma_electrical@yahoo.com
- asinternational024@gmail.com
- +91 9416183370
- +91 9416493069, +91 9306996454
- International Business: +91 7015448621

OUR WEBSITES

- www.eselinternational.org
- www.esellab.com

ALSO ON

trade.gov.in